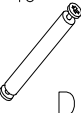
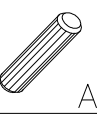

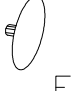
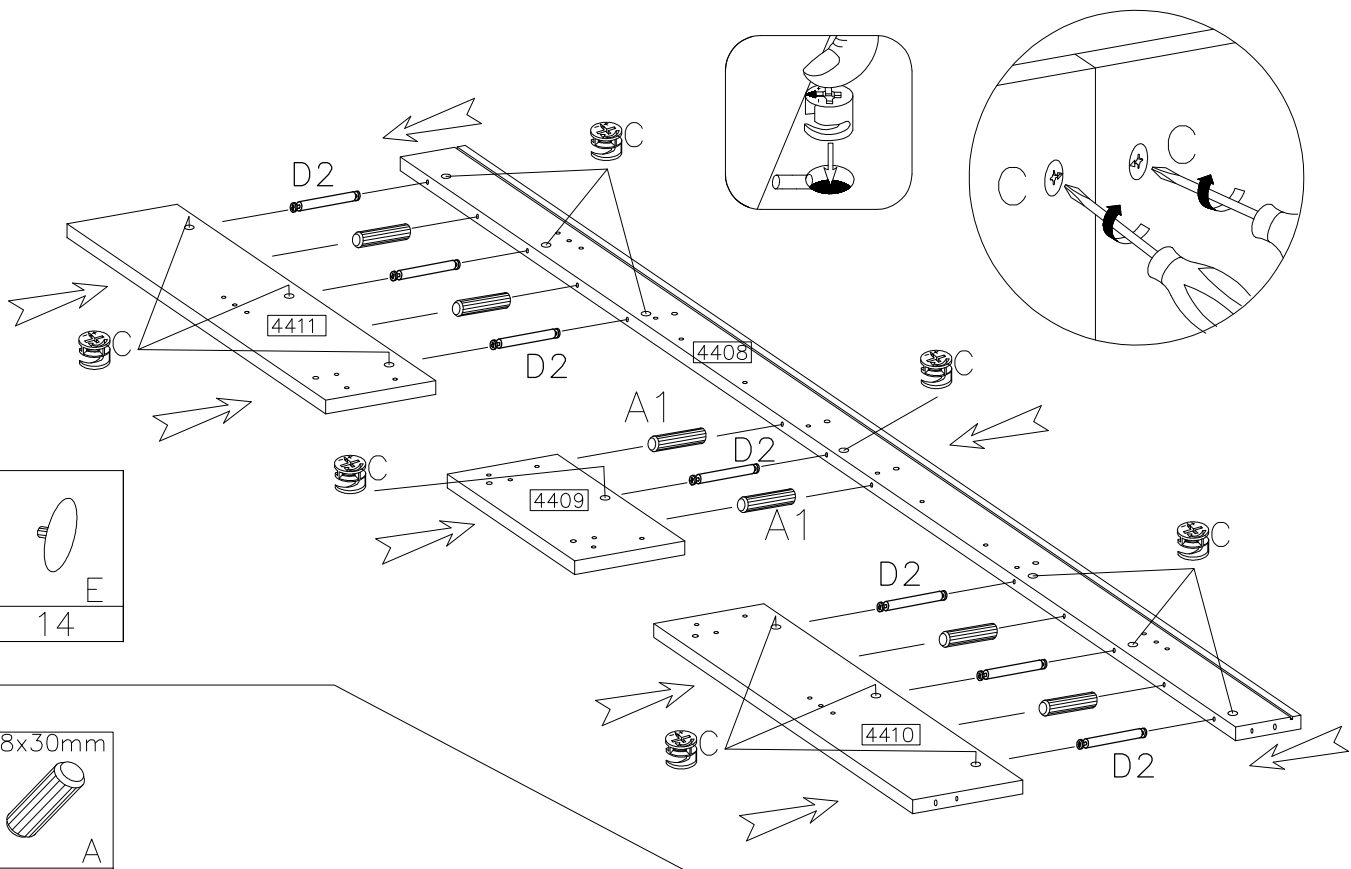


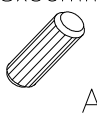

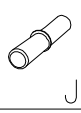


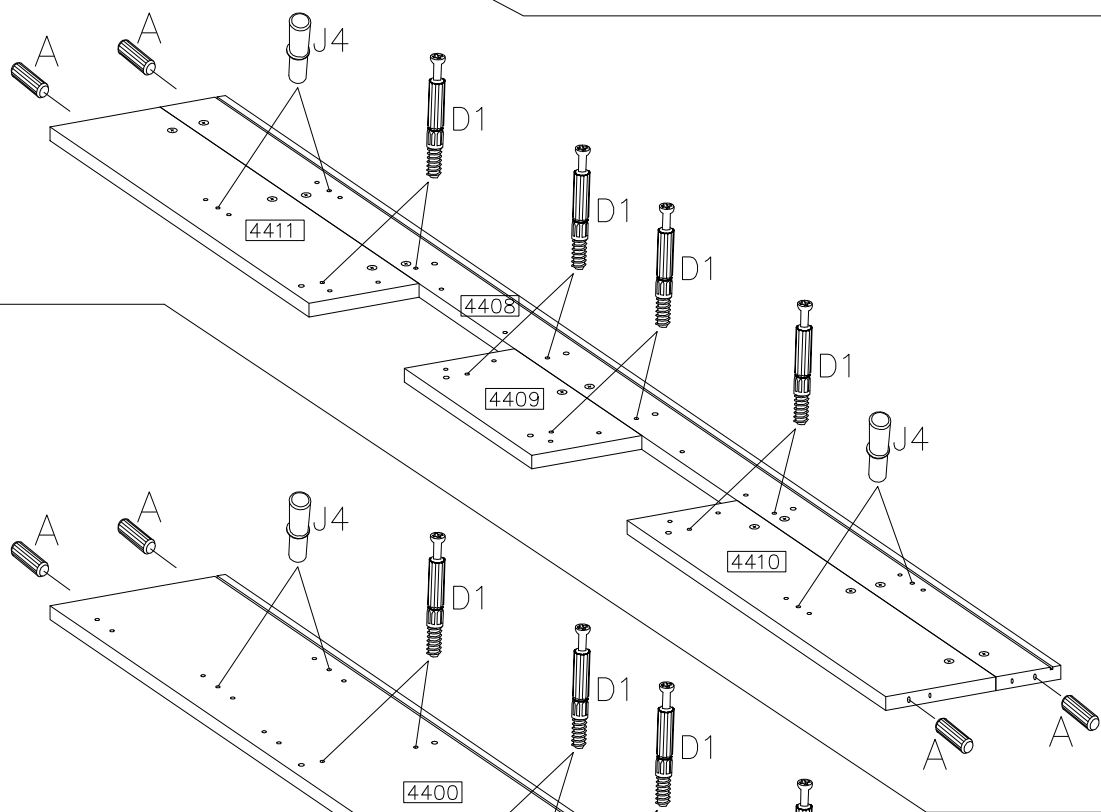
1

L-46		D2
7		A1
6		C
		E
14		14

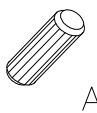

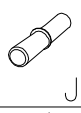


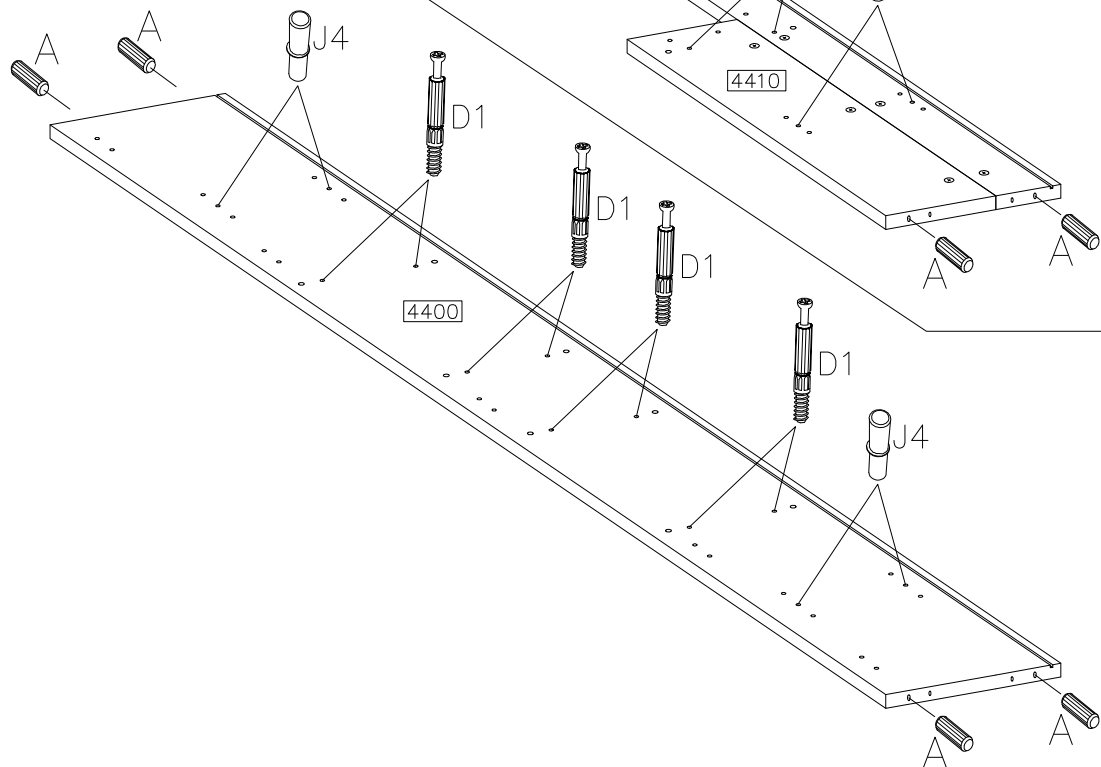
2

	A
4	
	D1
8	
	J4
4	





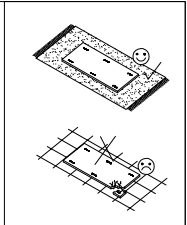
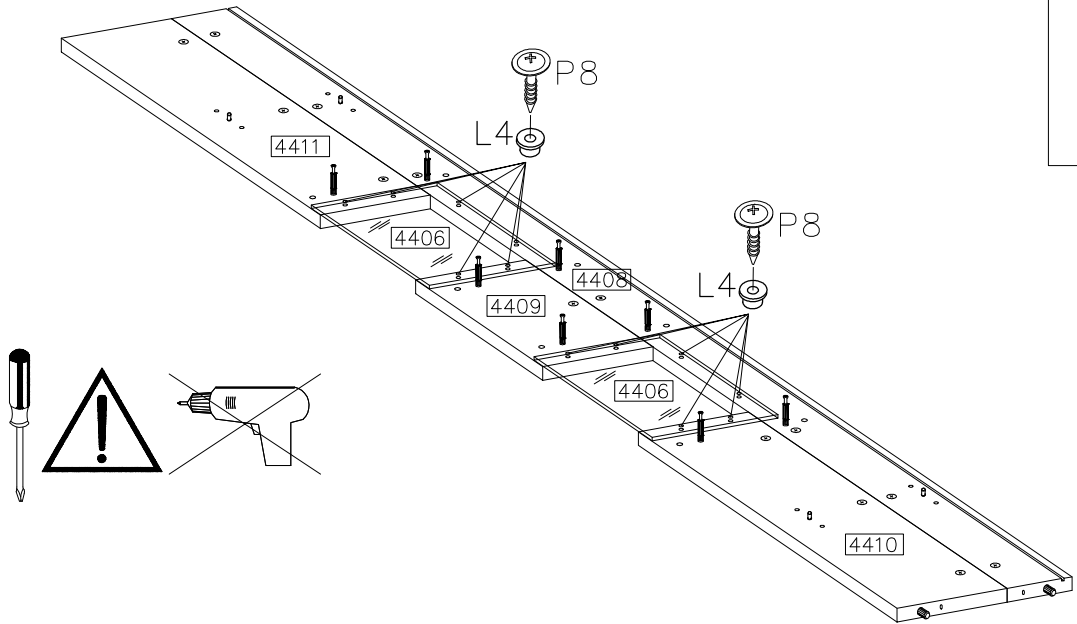
3

	A
4	
	D1
8	
	J4
4	

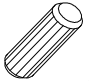




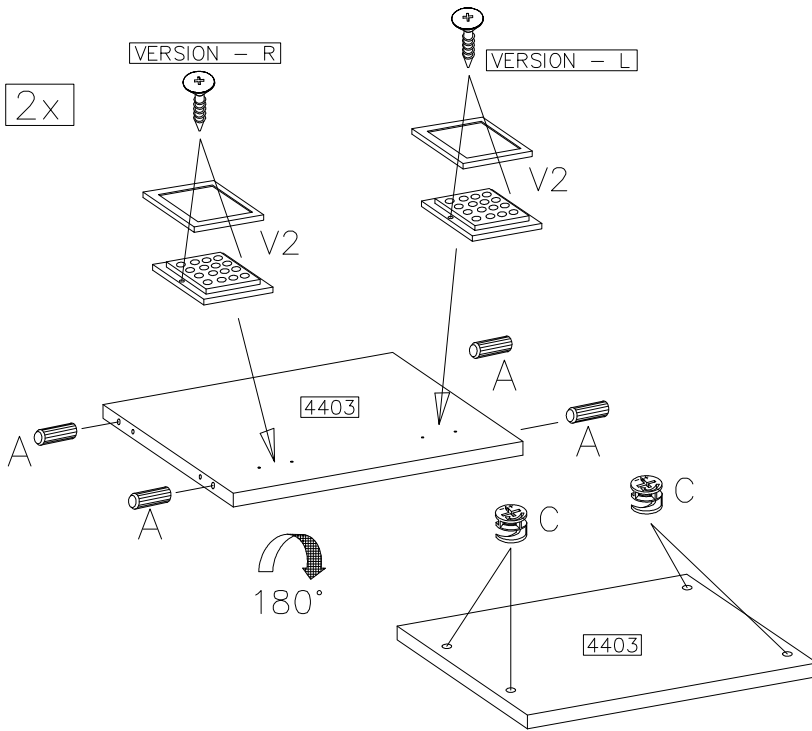
4

	$\varnothing 4.0 \times 16 \text{mm}$ 
L4	P8
12	12

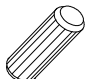



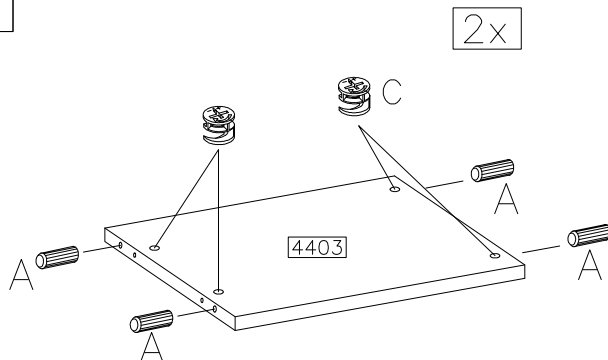
5

$\varnothing 8 \times 30 \text{mm}$ 	A
8	
$\varnothing 15/12 \text{mm}$ 	C
8	
	V2
2	



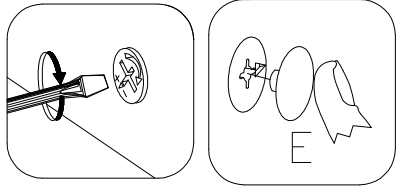
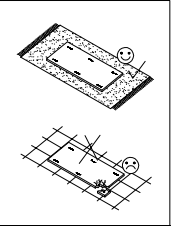
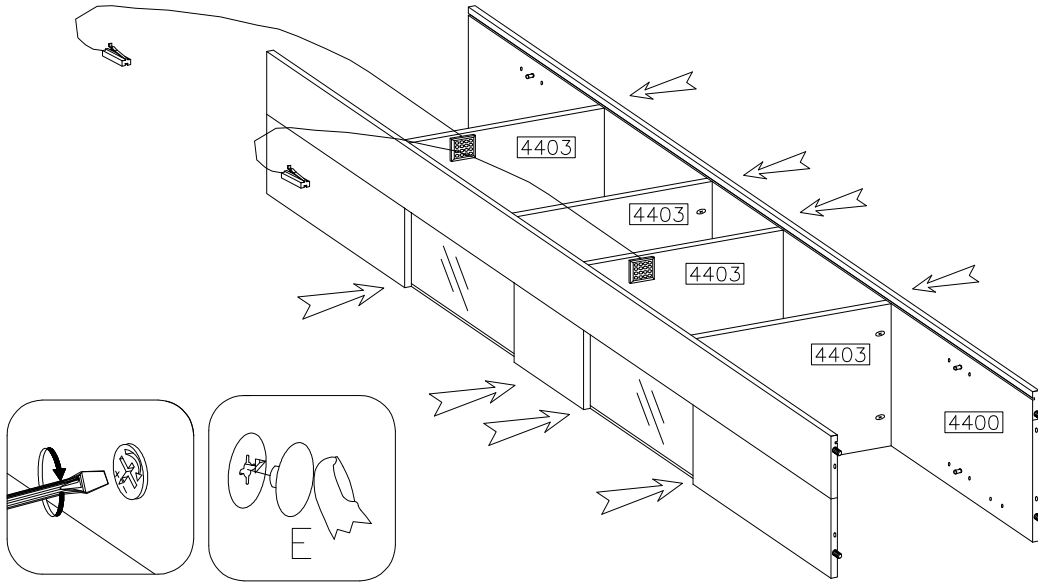
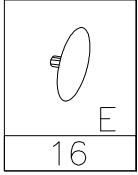
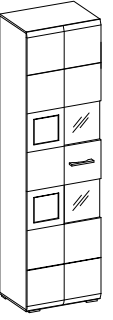
6

$\varnothing 8 \times 30 \text{mm}$ 	A
8	
$\varnothing 15/12 \text{mm}$ 	C
8	



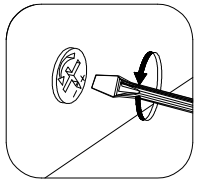
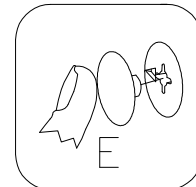
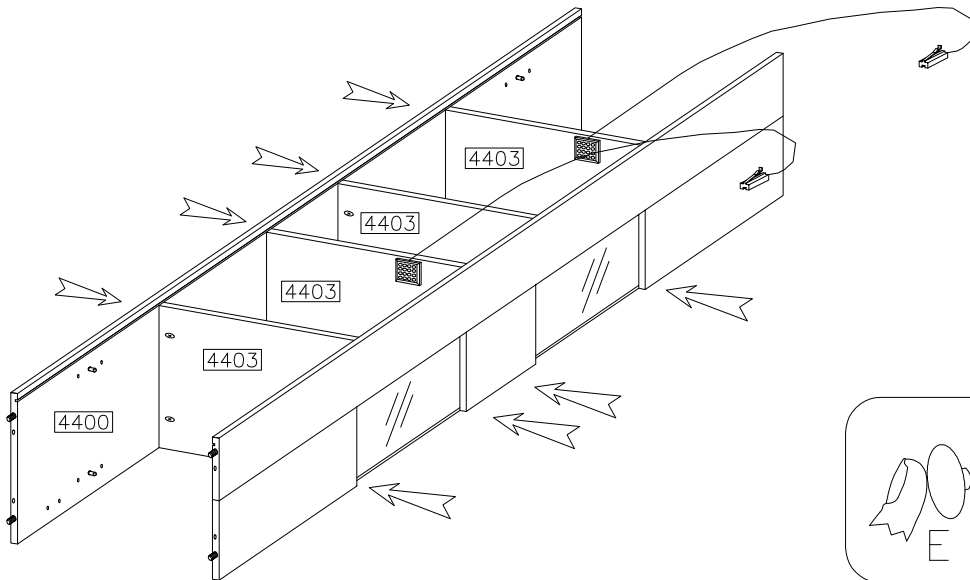
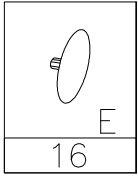
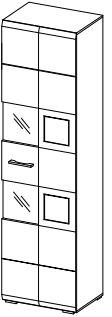
7 A

VERSION - L

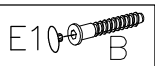
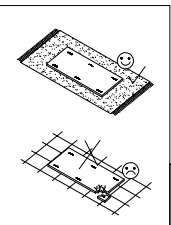
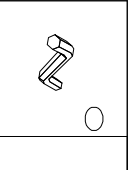
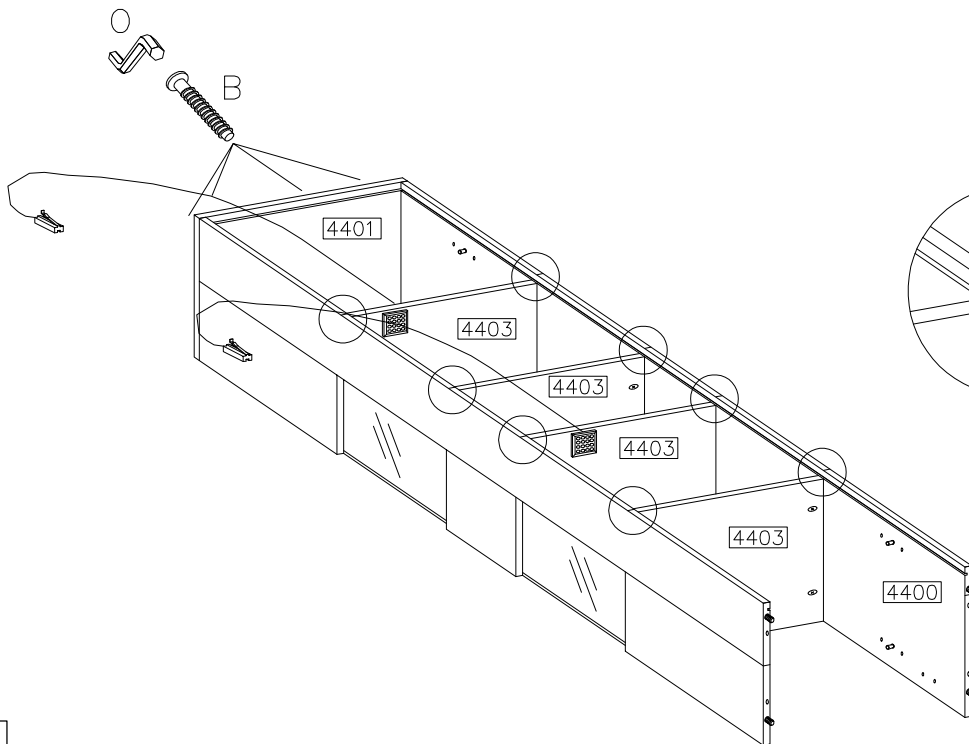
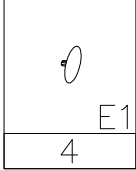
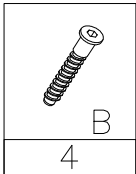


7 B

VERSION - R

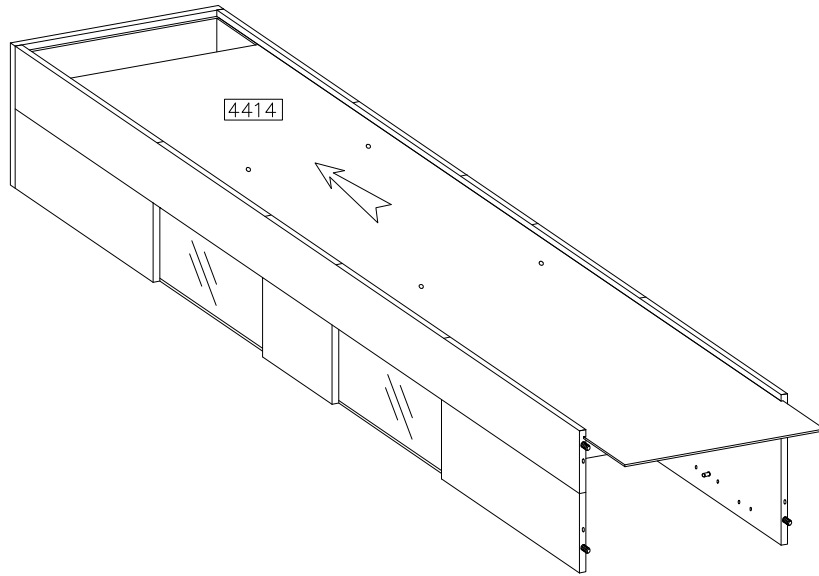
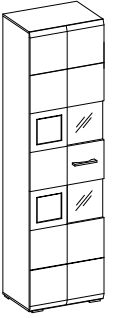


8





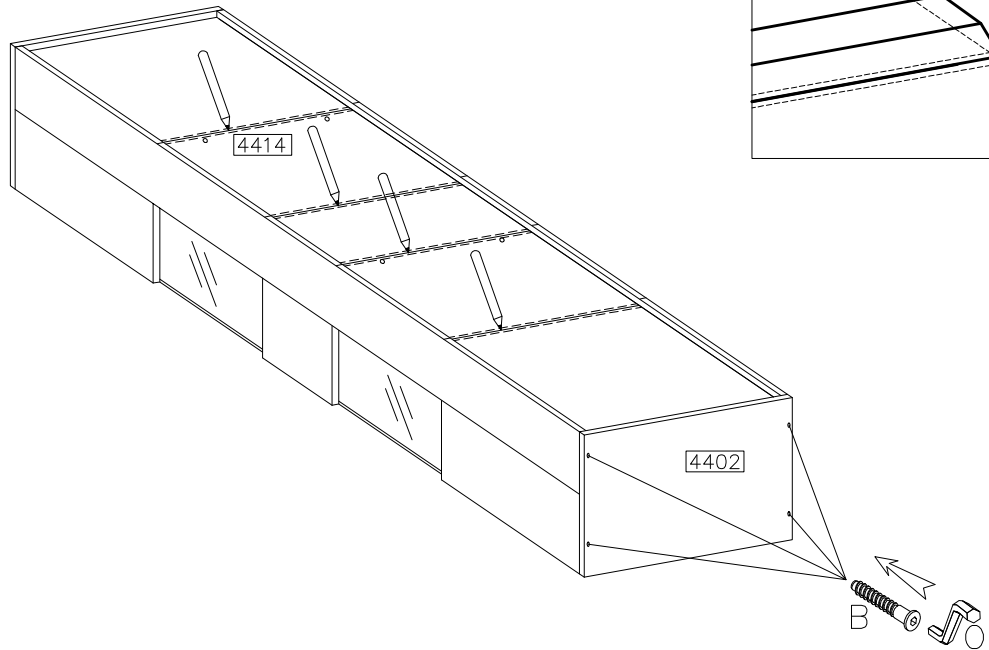
9

VERSION - L

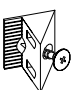
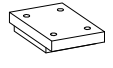




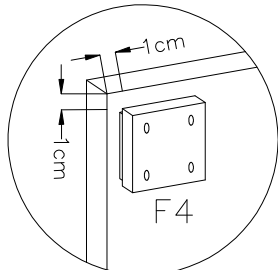
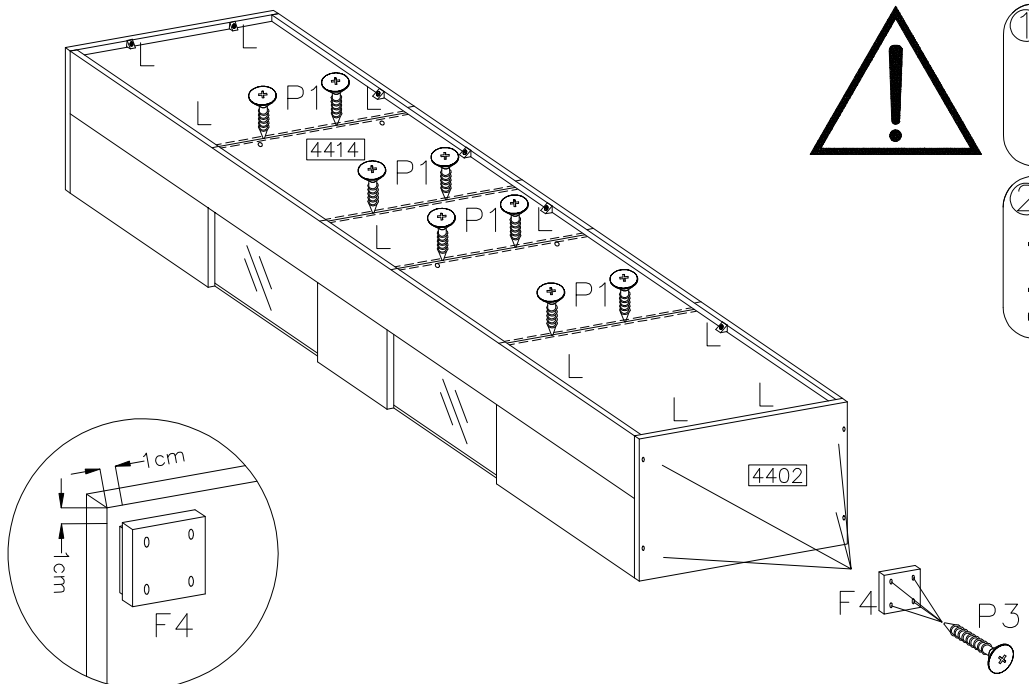
10

	B
4	
	E1
4	



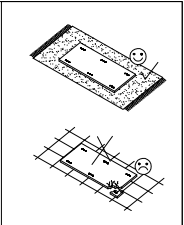
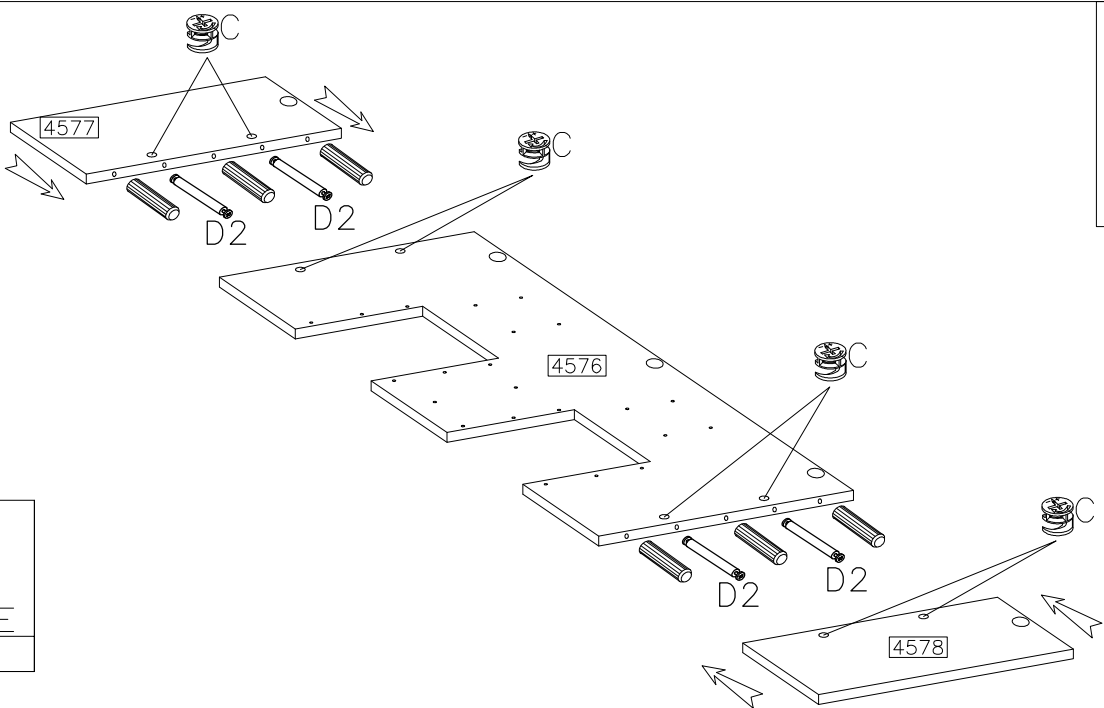
11

	
L	F4
10	4
∅3.0x16mm	∅4.0x30mm
	
P1	P3
20	16

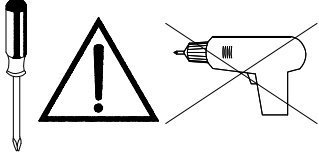


# 12

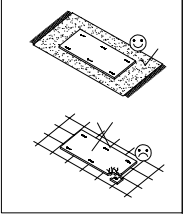
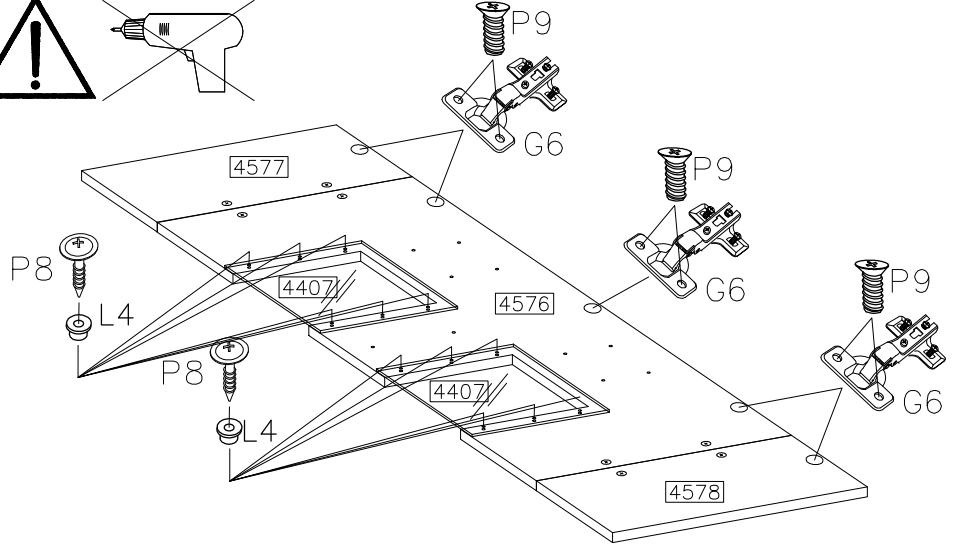
L-46	
4	D2
ø8x40mm	
	A1
6	
ø15/12mm	
	C
8	
	E
8	



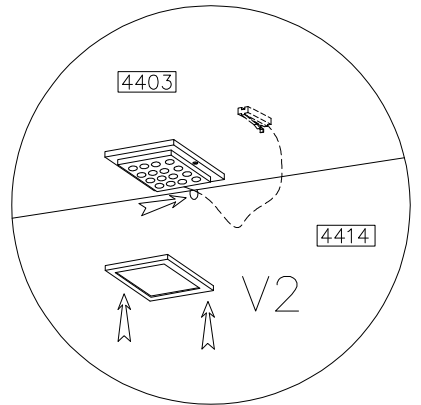
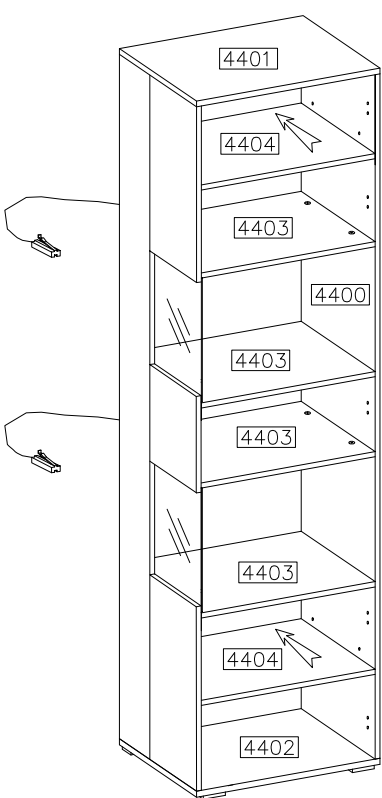
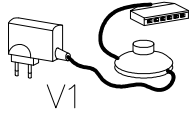
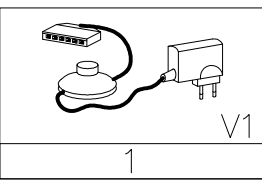
# 13



ø35/KR-0	5.0x13mm
G6	P9
5	10
	ø4.0x16mm
L4	
12	P8
	12



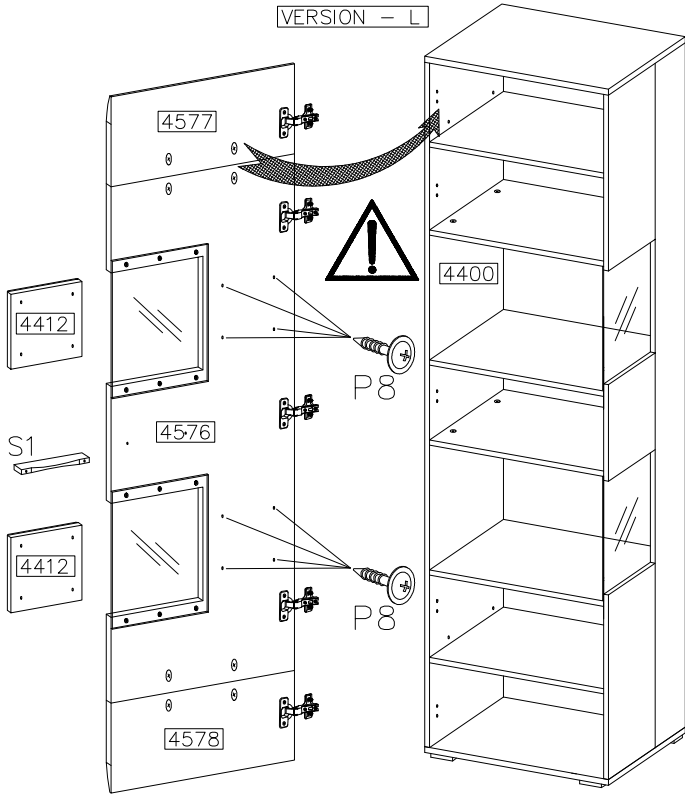
# 14



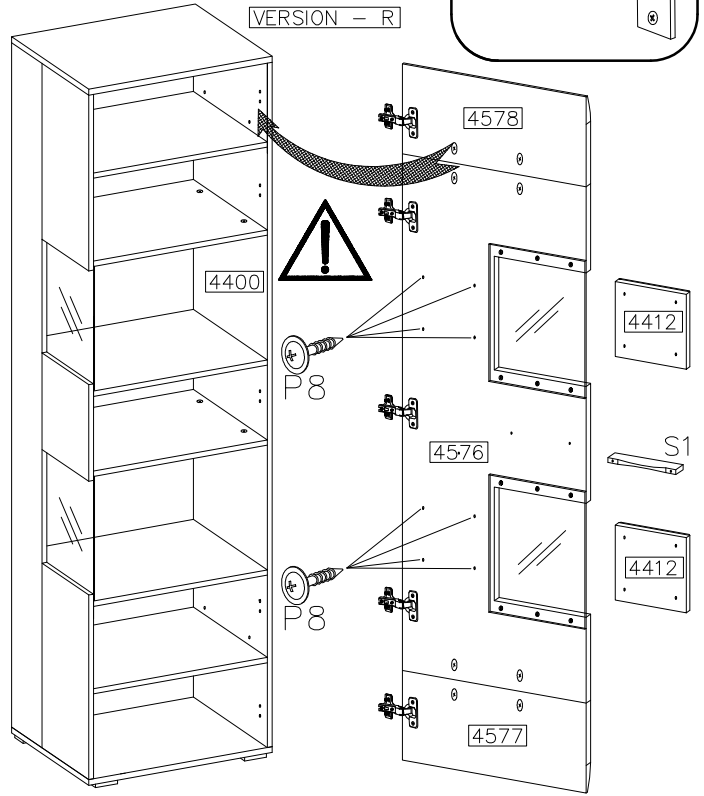
15

 P8 8	 S1 1	 R2 2
-------------	-------------	-------------

VERSION - L

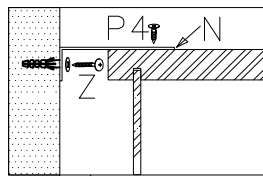


VERSION - R



16

 Z 1
------------



$\phi 6$  WALL DRILL

 P4 1	 N 1
-------------	------------

